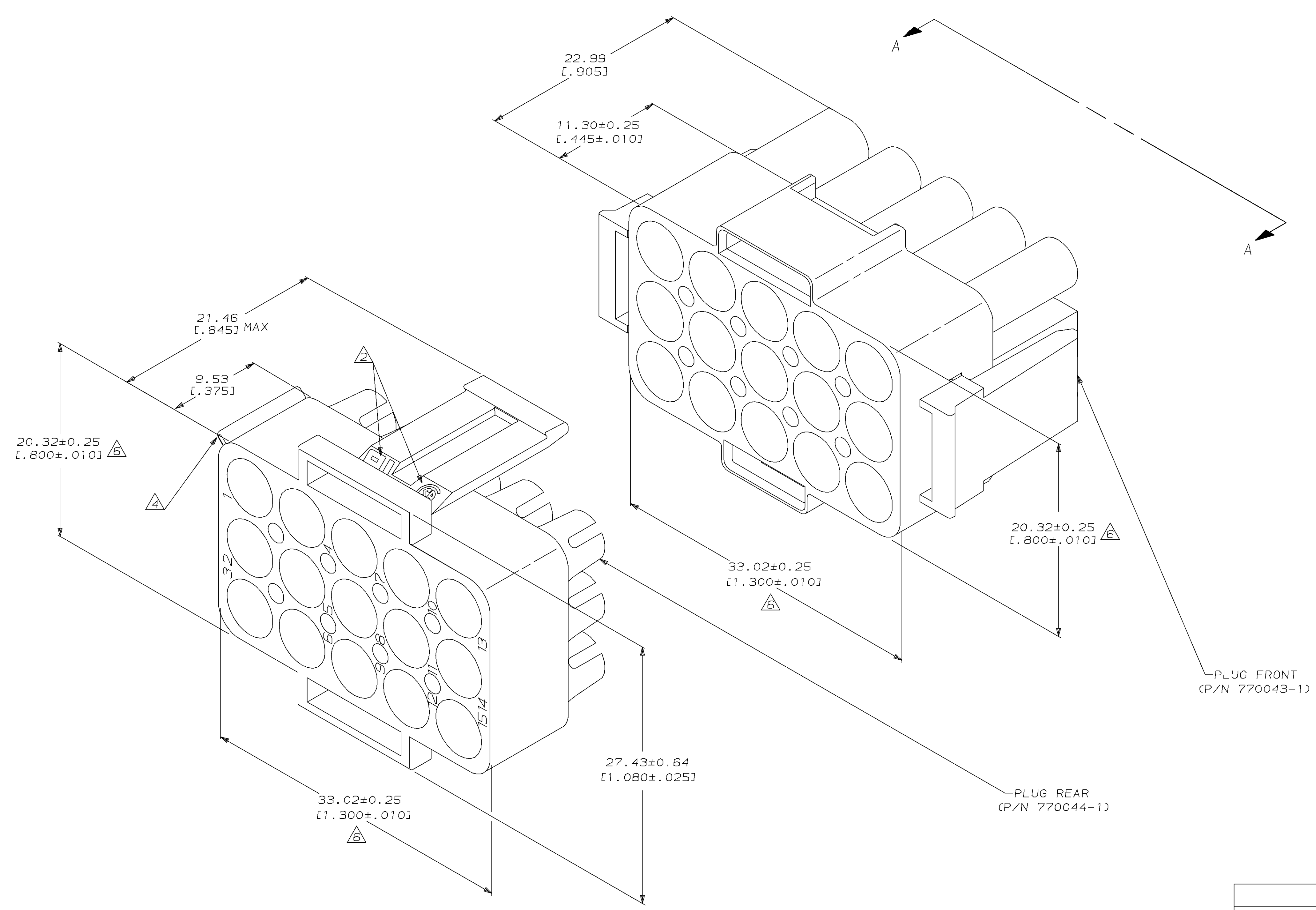
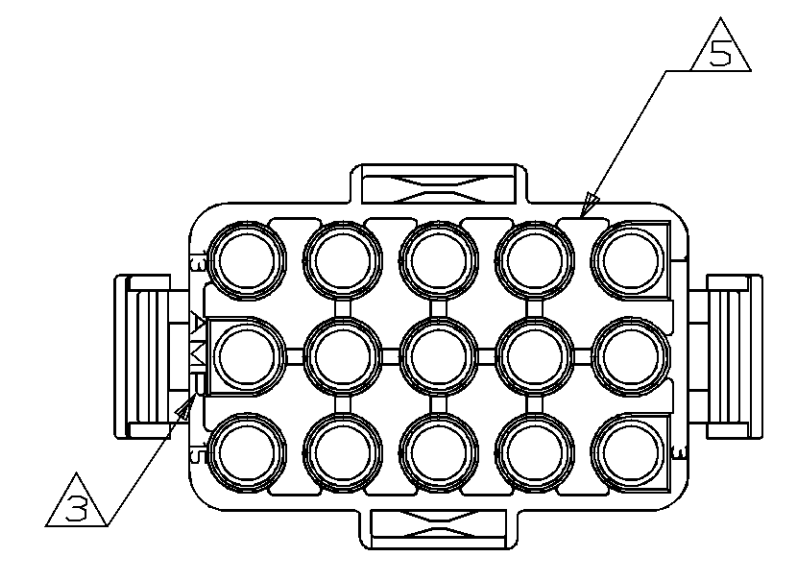


LOC		DIST		P		F		ZONE		LTR		REVISIONS		DATE	APPD			
CM	53												E	REV PER EC	OL30-0034-96	8-30-96	JH	R5



1. BULK PACKAGED, UNASSEMBLED.
2. APPROVAL AGENCY LOGO LOCATED APPROXIMATELY AS SHOWN.
3. AMP LOGO LOCATED THIS SURFACE.
4. CIRCUIT NUMBER ONE IDENTIFICATION RIB AND CIRCUIT IDENTIFICATION NUMBERS ARE EACH LOCATED ADJACENT TO THE APPROPRIATE CIRCUIT CAVITIES.
5. NEW MOLD CONSTRUCTION PROVIDES MATERIAL REDUCTION CORING AT BASE OF SILOS WITH NO CORING AS OPTIONAL.
6. DIMENSION INDICATED IS AS MOLDED. ADDITIONAL GROWTH DUE TO SUBSEQUENT MOISTURE ABSORPTION MAY OCCUR.



VIEW A-A
SCALE 2:1

PLUG FRONT
(P/N 770043-1)

PLUG REAR
(P/N 770044-1)

770023-1
PART NUMBER

DO NOT SCALE PRINT. UNLESS SPECIFIED DIMENSIONS IN INCHES TOLERANCES ON:		DR 1-22-92 K. SALMON		AMP INCORPORATED Harrisburg, Pa. 17105	
1	PLC DEC ± 0.13 [0.005]	CHK 1-22-92 R. SWING	APPD 1-22-92 M. TRULL	NAME	
2	PLC DEC ± 0.13 [0.005]	APPD 1-22-92 M. TRULL	PRODUCT SPEC	PLUG HOUSING KIT, 15 CIRCUIT, UNIVERSAL MATE-N-LOK™ II	
3	ANGLES ±	APPLICATION SPEC	SCALE	SIZE D	F5CM NO 00779
MATERIAL	NYLON, UL94V-0,	WEIGHT	SCALE 5:1	DRAWING NO	770023
				SHEET	1 OF 1

METRIC

CUSTOMER DRAWING